



# PRODUCT BULLETIN

**URGENT:** Please distribute copies for the following people within your organization:  Owner  Sales  Customer Service  Service Techs

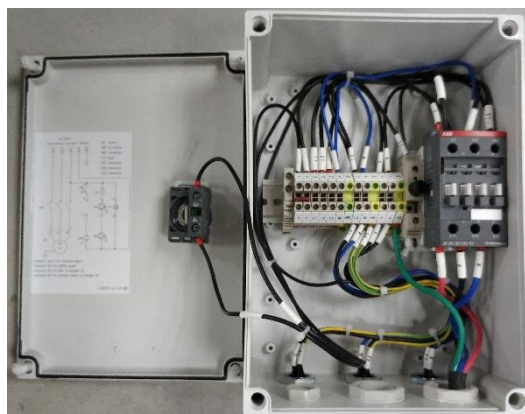
**Subject: Rotary New Control Box**

Dear valued distributor,

Please be noted that Rotary Lift vehicle lifts manufactured in VSGA have undergone upgrade and will be supplied with revised control box for Australia, SEA and India markets from November 2019 production. Please be noted that the ATO77 was changed during August 2019 production.

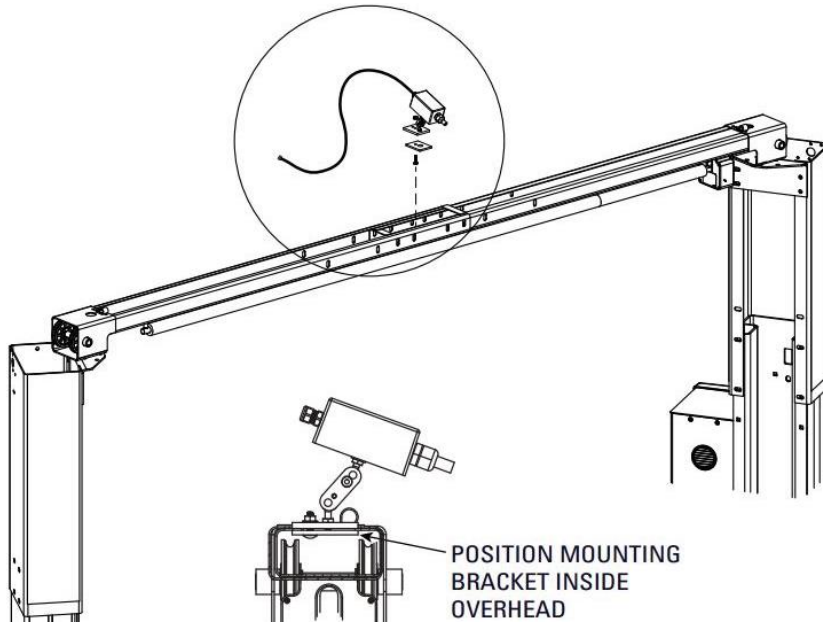
Please see detail of the new switch box below:

Part Number	Power Supply	Descriptions	Application Lifts	Application Region
FA9147Y-UL-12	3 PH, 5 wire, 400VAC	To replace USA FA9147 with plug in laser & lock light	Two post & four post lift	Australia, SEA & India

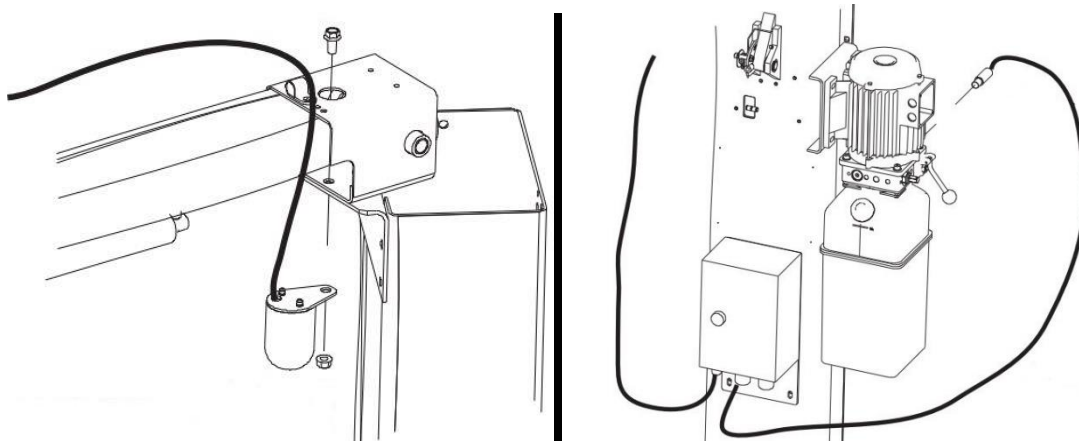


The addition of the new switch box will allow the accessories of **SPOTLINE LASER** and **LOCKLIGHT** to become plug and play. The new features give the customer flexibility to choose the accessories at time of installation or after once the lift is installed.

**Laser Kit: (optional)**



**Lock Light: (optional)**



**Accessories:**

<b>FA7814Y-KIT6</b>	Spotline™ motion activated laser guided spotting. Suits Two Post 3 phase with plug in socket, Dec 2019 on
<b>FA7814Y-SW</b>	Spotline™ motion activated laser guided spotting. Suits Two Post Shock Wave with plug in socket.
<b>FA834Y-KIT1</b>	Locklight kit, Two Post 3 Phase. Comes with indicator light assembly, pressure switch and mounting bracket. 220V AC. Suits 2 Post with plug in socket, Dec 2019 build on, excludes 1 phase.
<b>FA834Y-KIT-SW</b>	Locklight kit, Two Post Shock Wave. Comes with indicator light assembly, pressure switch and mounting bracket. 24V DC. Suits 2 Post with plug in socket.
<b>FA835Y-KIT1</b>	Locklight kit, Four Post. Comes with indicator light assembly, pressure switch, and mounting bracket. 220V AC. Suits 4 Post with plug in socket/cut plug for hard wiring.

Included in the installation kit of the lift, there is literature titled Manual FA9147Y Series Control Box. Within the manual, there is installation and wiring detail supporting the new product. Please note, the change of control boxes will not affect the specifications or performance of the lift, however the new FA9147Y-UL-12 control box requires the electrical supply to be 5 wire including natural.

For any questions concerning this announcement, please direct to our customer support at [huihua.lu@rotaryliftdasia.com](mailto:huihua.lu@rotaryliftdasia.com) or [elvis.wang@rotaryliftdasia.com](mailto:elvis.wang@rotaryliftdasia.com).

Regards,

VSGA Customer Service

2020-05-27